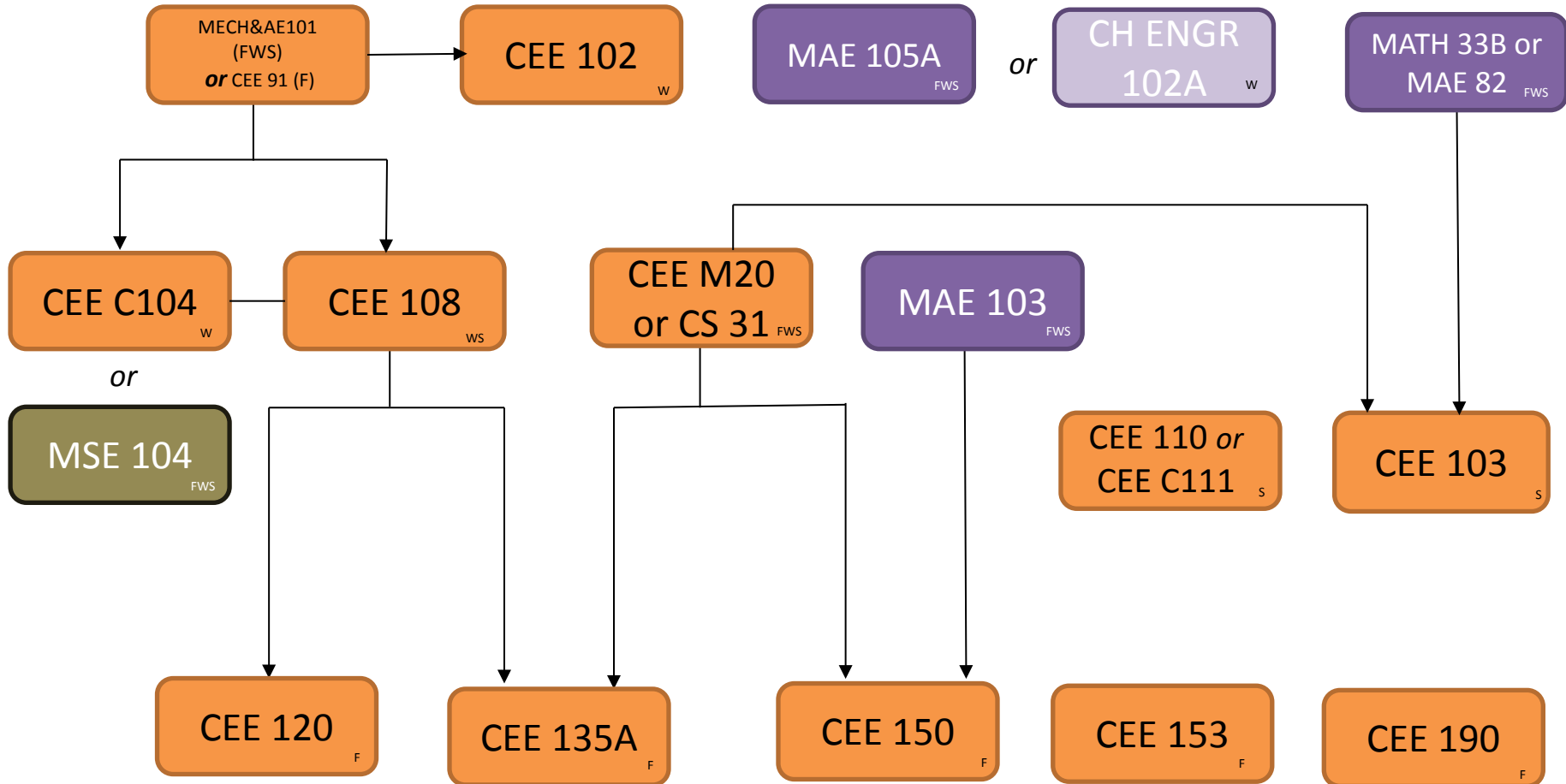


Required Upper-Division Core Courses for Civil Engineering

2021-2022 Catalog Year



This chart is current and valid for the 2021 – 2022 Academic Year and may be subject to change.

Please note: Upper-division courses have lower-division requisites that you must complete. Requisites and term offerings can change.

Make sure you are using the most current information when planning your courses.

Please connect with your OASA Counselor if you have any questions regarding your degree plan.

F=Fall Quarter W=Winter Quarter S=Spring Quarter