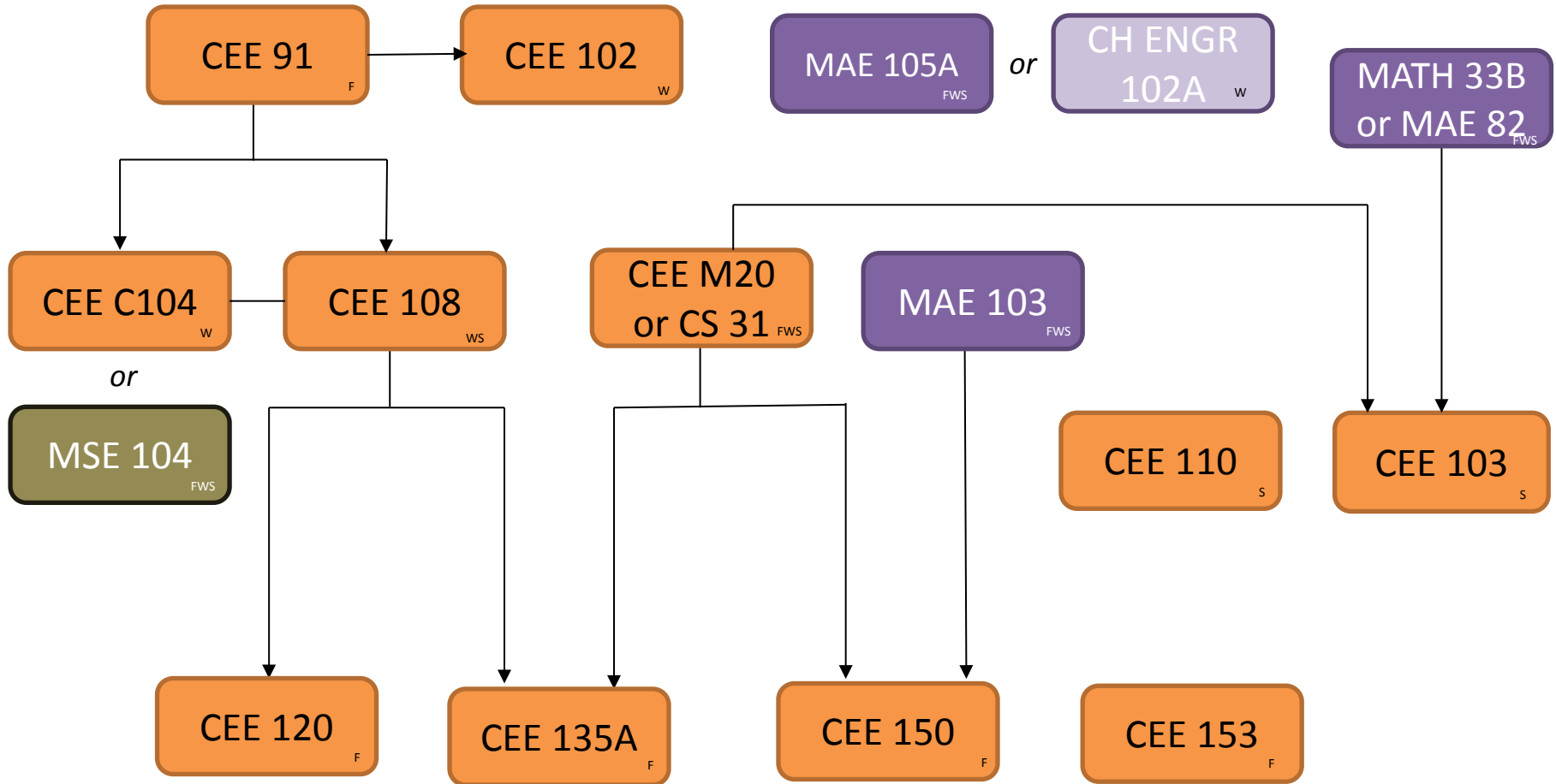


Required Upper-Division Core Courses for Civil Engineering

2018-2019 Catalog Year



This chart is current and valid for the 2018 – 2019 Academic Year and may be subject to change.

Please note: Upper-division courses have lower-division requisites that you must complete. Requisites and term offerings can change.

Make sure you are using the most current information when planning your courses.

Please check for changes with HSEAS Office of Academic and Student Affairs, 6426 BH.

F=Fall Quarter W=Winter Quarter S=Spring Quarter