

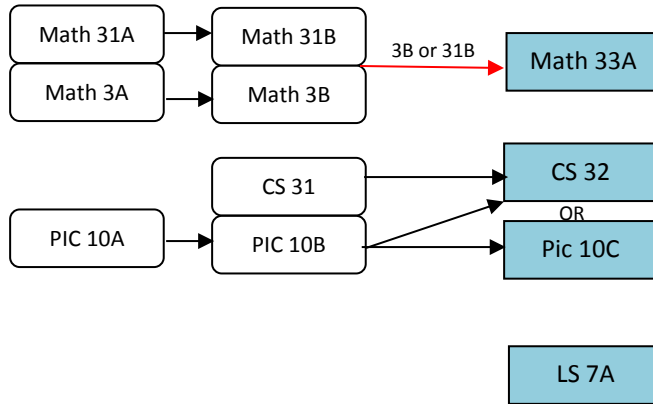
This chart is current and valid for the Fall 2018-Spring 2019 Academic Year.

Requisites can change. Make sure you are using the most current information when planning your courses.

*Please check for change with HSSEAS Office of Academic and Student Affairs, 6426 BH for Summer 2018

2018-2019 Requisite structure for Undergraduate Bioinformatics Minor

Lower Division Requirements:



Upper Div Requirements:

