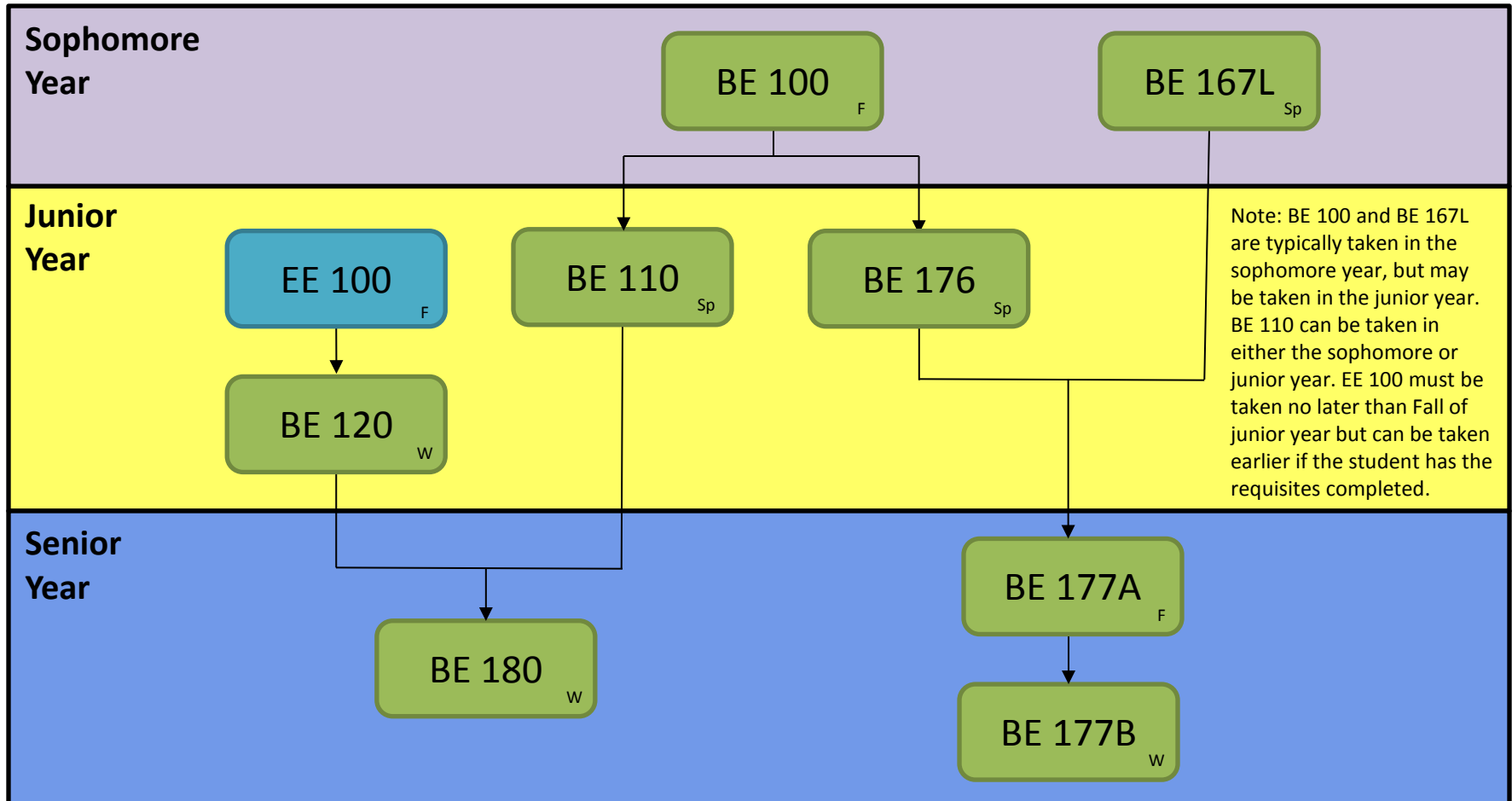


# Required upper-division core courses for Bioengineering

## Catalog years 2014-15, 2015-16, 2016-17, and 2017-18



**This chart is current and valid for the Fall 2017-Spring 2018 Academic Year.**

Please note that these upper-division courses have lower-division requisites that you must complete. Requisites and term offerings can change. Make sure you are using the most current information when planning your courses.

Please check for changes with HSEAS Office of Academic and Student Affairs, 6426 Boelter Hall