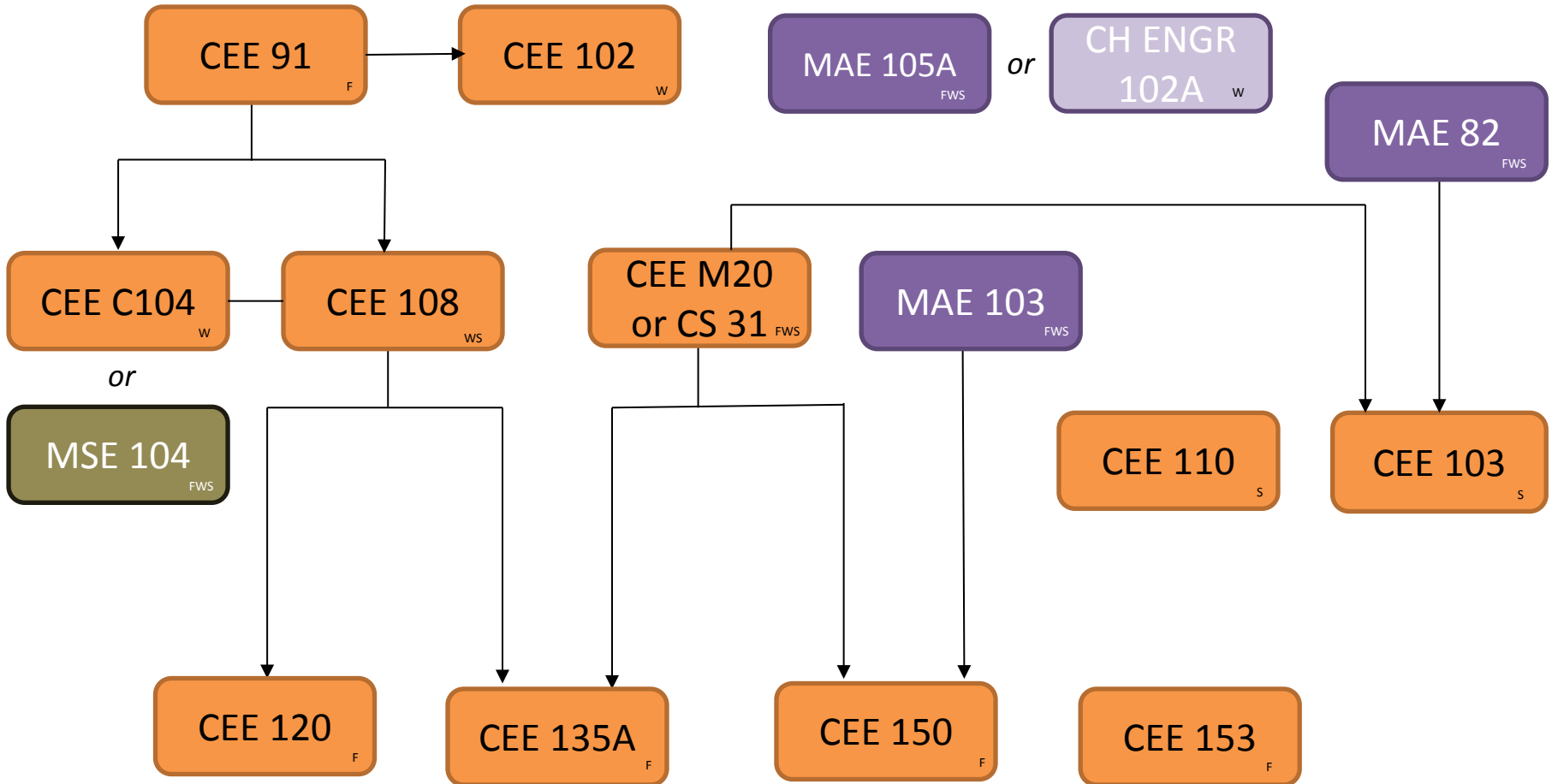


# Required Upper-Division Core Courses for Civil Engineering

## 2017-2018 Catalog Year



This chart is current and valid for the 2017 – 2018 Academic Year and may be subject to change.

**Please note:** Upper-division courses have lower-division requisites that you must complete. Requisites and term offerings can change.

**Make sure you are using the most current information when planning your courses.**

Please check for changes with HSEAS Office of Academic and Student Affairs, 6426 BH.

F=Fall Quarter W=Winter Quarter S=Spring Quarter